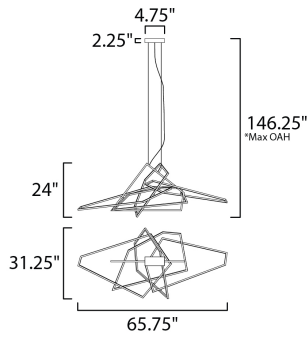




PRODUCT DESCRIPTION

Is it lighting or is it Art? The answer is both. Channels of Polished Chrome are skillfully mitered and assembled to create the ultimate conversation piece. LED strips are installed inside the channels to illuminate the room without annoying glare.



*max overall height

MEASUREMENTS

DIMENSION : 31.25" L x 65.75" W x 24" H
 MAX OAH : 146.25" OAH
 CANOPY : 4.75" W x 2.25" H x 8.75" L
 HANGING WEIGHT : 17.63 lb

LAMPING

INPUT VOLTAGE : 120V
 LUMENS : 5,600 Rated
 BULB : 1 x 100W LED PCB Integrated , 100W Total
 BULB INCLUDED : (Integrated)
 DIMMABLE : Triac CL
 CRI : 80 CRI
 COLOR_TEMP : 3000K

FINISHES OPTION

 Polished Chrome (PC)

MATERIAL

Stainless Steel

RATINGS

NDry Location



ADDITIONAL

ADJUSTABLE
 RATED LIFE 35000 Hours
 OPERATING TEMPERATURE:
 -20°C (-4°F), 40°C (104°F)

Always consult a qualified electrician before installing any lighting product.



WESTERN DISTRIBUTION CENTER (HEADQUARTER)
 253 NORTH VINELAND AVE | CITY OF INDUSTRY, CA 91746
 EASTERN DISTRIBUTION CENTER
 101 GARDNER PARK | PEACHTREE CITY, GA 30269
 P. 626.956.4200 | F. 626.956.4225 | maximlighting.com